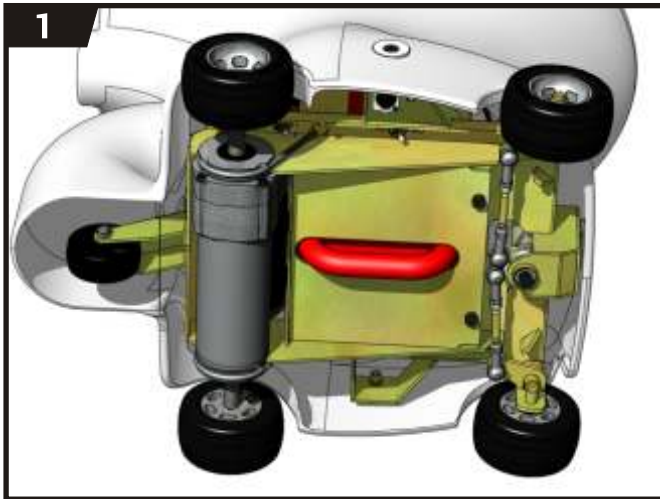
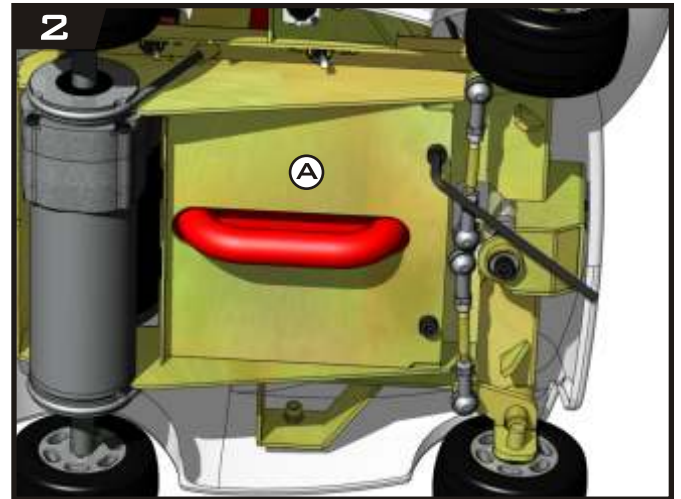


OPERATIONAL ASSEMBLY

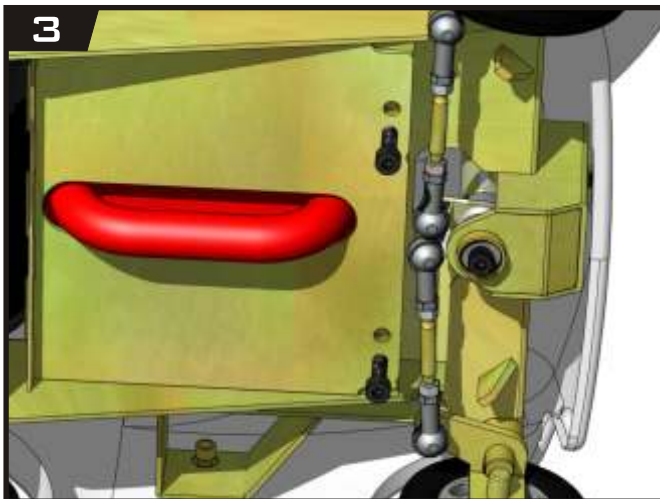
Step 2. FITTING BATTERIES - PART .1



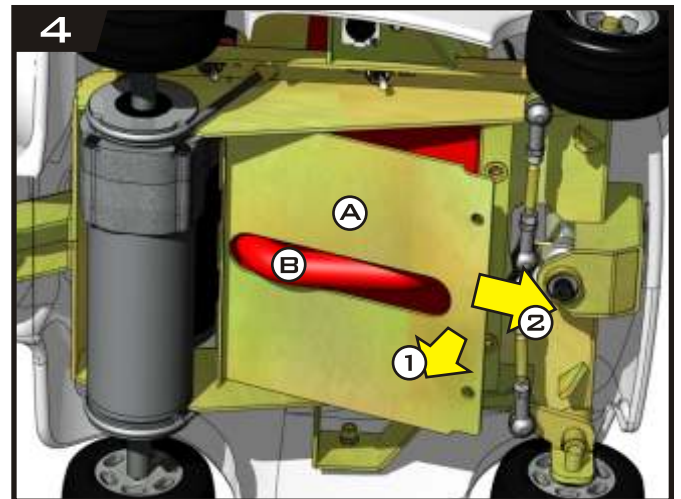
Place your GO-Racer on it's side on the floor.
NOTE: IT IS VERY IMPORTANT THE BATTERIES ARE WIRED CORRECTLY (AS PER DIA PAGE 9 - WIRING BATTERIES)



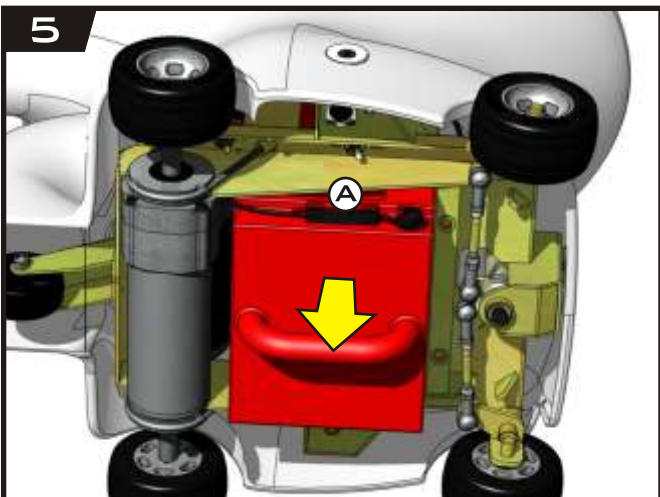
Loosen the two battery tube cover plate (A) hex bolts with the 6 mm hex key provided (turn anti-clockwise).



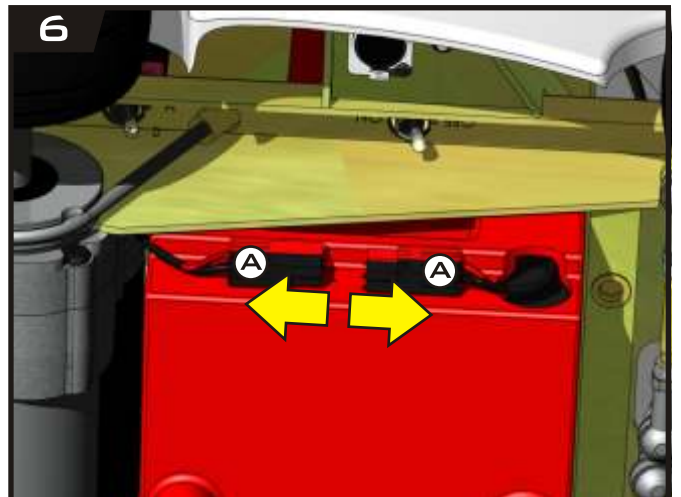
Remove both hex bolts completely



Remove battery tube cover plate (A) by lifting away from the chassis, enough to clear the battery tube handle (B) and move towards the front of the GO-Racer.



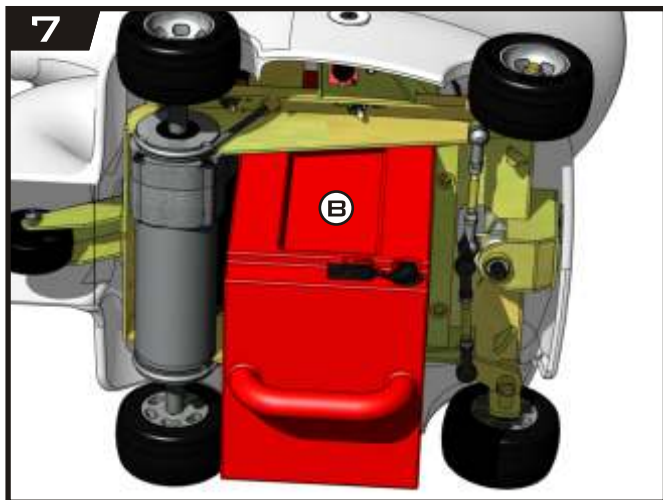
Slide the battery tube out (about 2" / 5 cm) just enough to expose the black and red power supply plug (A).



Disconnect the battery plugs (A) before removing the battery tube fully from the chassis.

OPERATIONAL ASSEMBLY

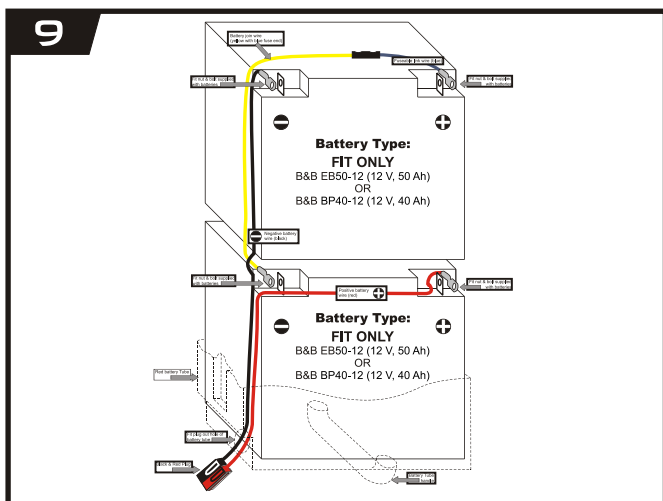
Step 2. FITTING BATTERIES - PART .2



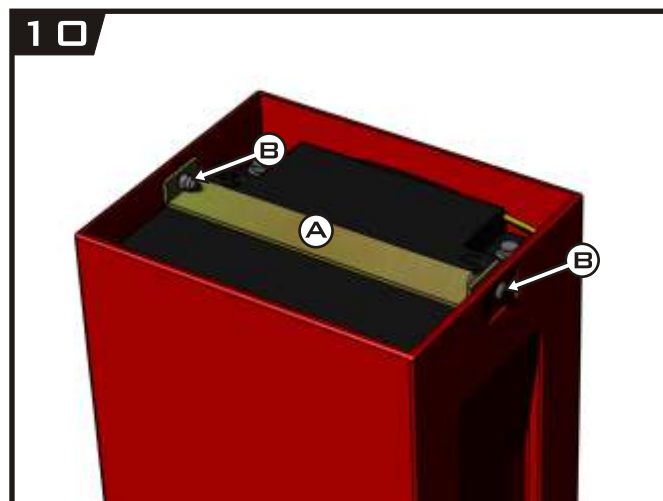
You are now able to remove the battery tube (B) fully from the chassis.



Once the battery tube is removed from the chassis remove contents from the tube. You are now able to fit the batteries.



IT IS VERY IMPORTANT THE BATTERIES ARE WIRED CORRECTLY (AS PER DIA ABOVE -FULL PAGE WIRING DIAGRAM ON PAGE 9.)



Once the batteries are fully in the battery tube, fit the holding bracket (A) with the two nuts and bolts supplied (B).



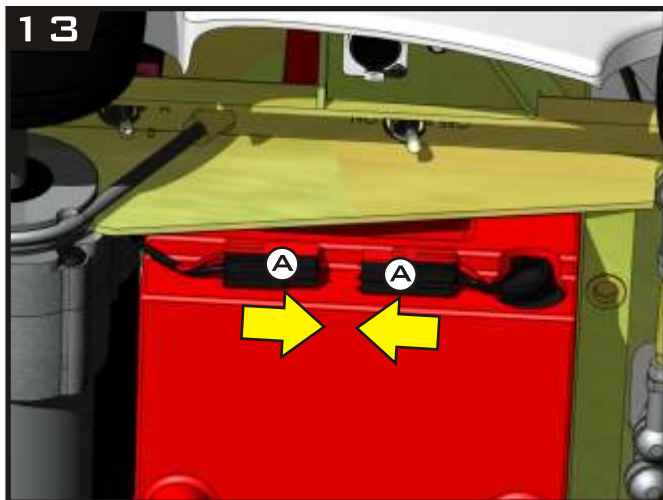
Once the batteries are correctly wired together turn upside down so the top of the top battery is flat on the floor. Gently slide the battery tube over the batteries while guiding the battery plug out of the hole (A) at the handle end (be careful not to jam this battery plug).



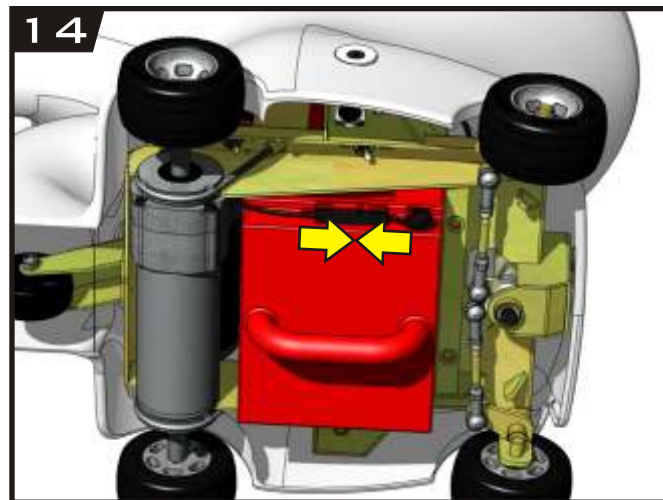
Slide the battery tube into the chassis, make sure you do not catch the battery plug (A). Lower the battery tube until it is firmly seated within the chassis.

OPERATIONAL ASSEMBLY

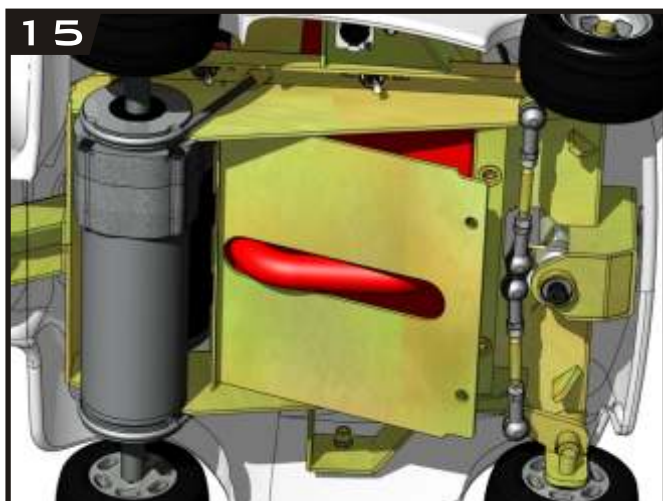
Step 2. FITTING BATTERIES - PART .3



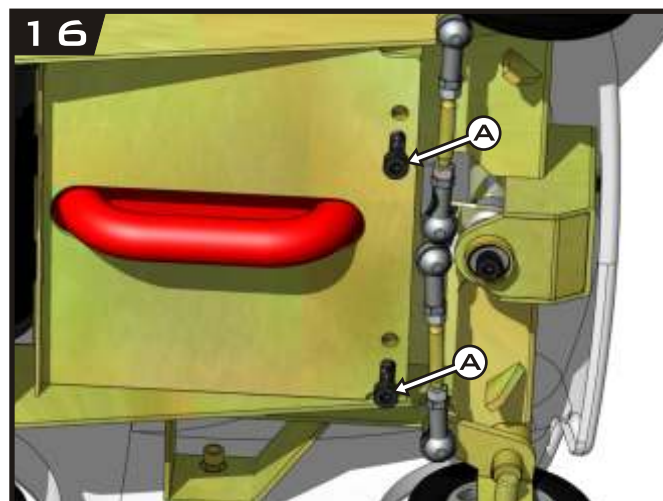
Once the battery tube is almost in place you can connect the battery plugs (A) together.



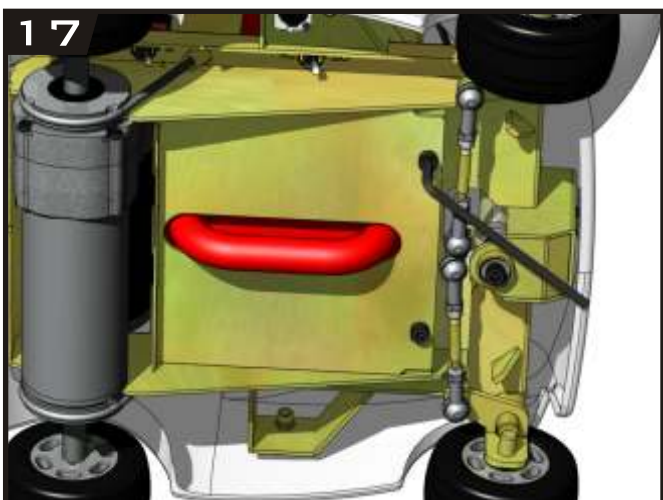
It is very important the plugs are mated firmly together with no gap in between the two plugs.



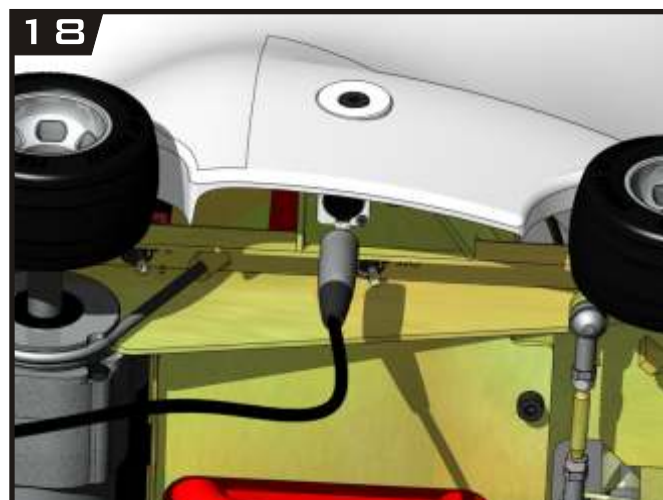
Once the battery plug is connected together, fit in gap beside the battery tube and chassis. Refit cover plate, fit back edge of the plate in the slots in the battery guide rail, close plate over the battery tube.



Refit the two hex bolts (A), careful not to cross thread.



Tighten both hex bolts firmly (clockwise).



Now the batteries are installed you will need to place the batteries on charge (refer to page 10. for full details).

OPERATIONAL ASSEMBLY

Step 2. WIRING BATTERIES

